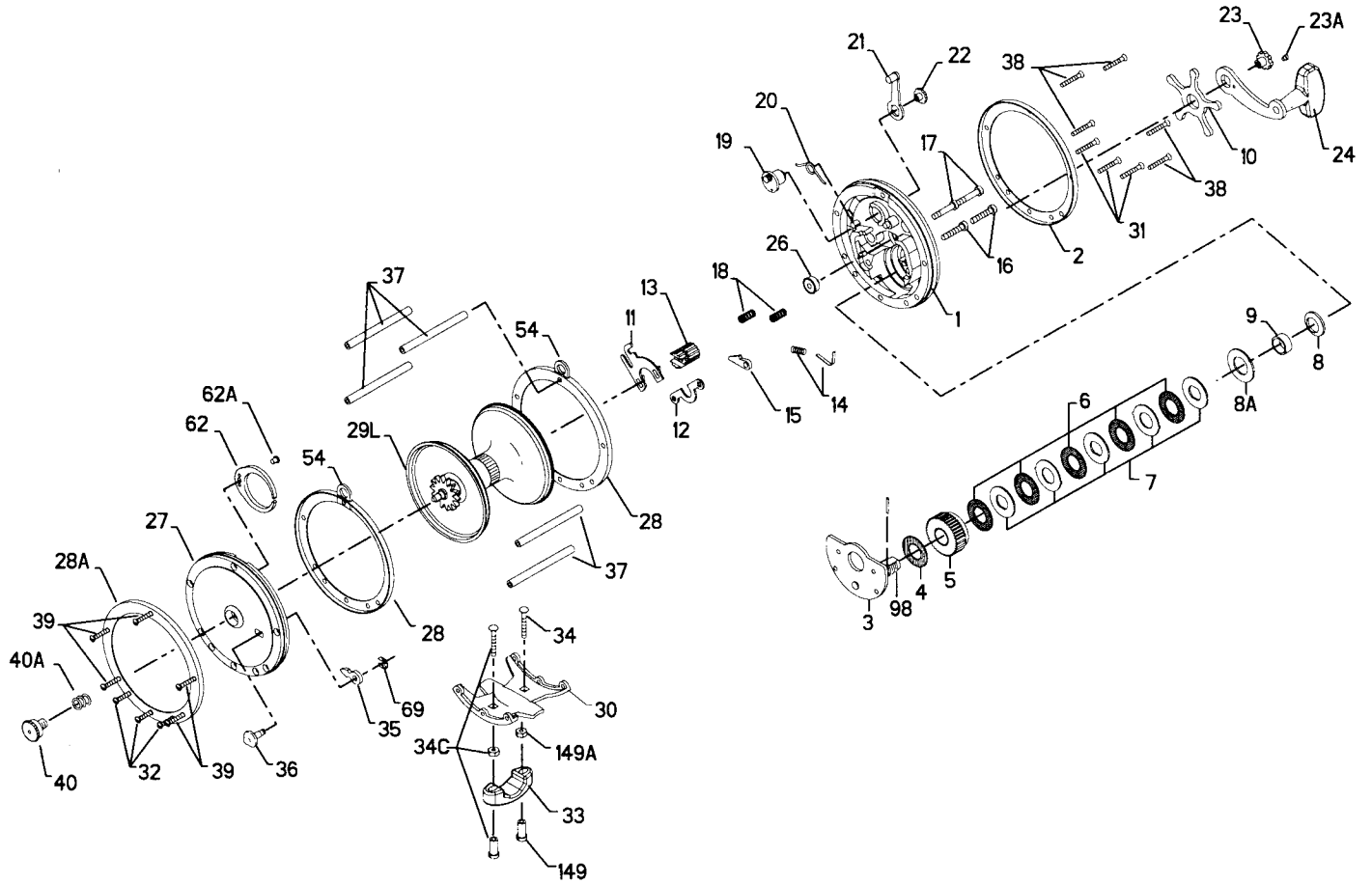




PARTS AND PRICE LIST FOR MODEL 112H



Key No.	Part No.	Description	Price	Key No.	Part No.	Description	Price
1	1-112H	Right Side Plate	\$4.75	26	26-155	R.S. Bearing	\$1.80
2	2-112H-O	Outer Right Side Ring	3.25	27	27-112H	Left Side Plate	4.95
3	3-112H	Bridge w/Sleeve	8.05	28	2-112H-I	Inner Left Side Ring	3.25
4	4-60	Fiber Washer	.40	28A	28-112H-O	Outer Left Side Ring	3.25
5	5-500	Main Gear	4.30	29L	29L-112H	Spool	20.00
6	6-309	Drag Washer (5 req.)	.80	30	30-66	Stand	5.75
7	7C-500	Metal Drag Washer Set (5 req.)	3.00	31	39-3	R.S. Stand Screw (3 req.)	.40
8	8-60	Tension Spring (Set of 2)	.50	32	32-17	L.S. Stand Screw (3 req.)	.40
9	9-60	Spacing Sleeve	.90	33	33-113	Rod Clamp	4.00
10	10-60	Star Drag Wheel	2.50		*33R-200	Ringed Rod Clamp (Optional)	6.25
11	11-99	Eccentric Jack	1.25	34	34-45	Clamp Screw (2 req.)	.90
12	12-500	Pinion Yoke	.95	34C	34C-45	Rod Clamp Screw w/Nuts	2.25
13	13-500	Pinion	3.10	35	35-60	Click Tongue	.90
14	14-99	Dog Spring	.40	36	36N-209	Click Button	.95
15	15-309	Dog	.90	37	37-65	Frame Post	1.65
16	16-60CH	Lower Bridge Screw (2 req.)	.40	38	39-9	R.S. Screw (5 req.)	.40
17	17-60CH	Upper Bridge Screw (2 req.)	.40	39	39-3	L.S. Screw (5 req.)	.40
18	18-60	Clutch Spring	.40	40	40-60	Left Side Bearing	2.35
19	19-250	Eccentric	1.80	41	41-60	Left Side Bearing Spring	.80
20	20-60L	Eccentric Spring	.40	62	62-309	Click Spring	1.70
21	21-49	Eccentric Lever	1.70	62A	63-209	Click Spring Screw	.80
22	22-99	Eccentric Screw	1.50	69	69B-600	Retaining Ring	.90
23	23-60	Handle Screw	1.70	98	98-60	Gear Sleeve	4.00
23A	110-60	Handle Lock Screw	.40	149	149-45	Rod Clamp Nut	.90
24	24-112H	Handle	1.95	149A	149-200	Hex Nut (2 req.)	.45